

# Fitting Instructions

## Revo Engine Mount Kit (MQB Chassis)

Fitting Difficulty



### Contents

Description	Qty
Revo Engine Mount	1
Class 10.9 M12x1.5x55 Flange Bolt	2
Class 10.9 M10x1.5x50 Flange Bolt	2
Stainless Steel M10x1.5x40 Flat Head Socket Cap Screw	1

### Recommended Tools

Tools	Size
Ratchet	N/A
Sockets	13,15,16,18,19
Hex Sockets	6
Torx Bits	T25
Flat Head Screwdriver	Small/Medium
Hydraulic Jack	N/A
Block of Wood	2x4 or equivalent thickness



Before starting, please ensure that the battery is disconnected and you have ensured the engine is cool. Engine temperatures can remain high for a substantial amount of time after use.

# Fitting Instructions

Fitting Difficulty

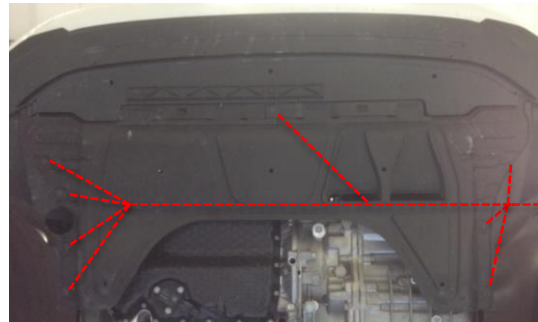


## Revo Engine Mount Kit (MQB Chassis)



Installation was performed on a MK7 GTI. Installation on other vehicles will be similar but may not be exact

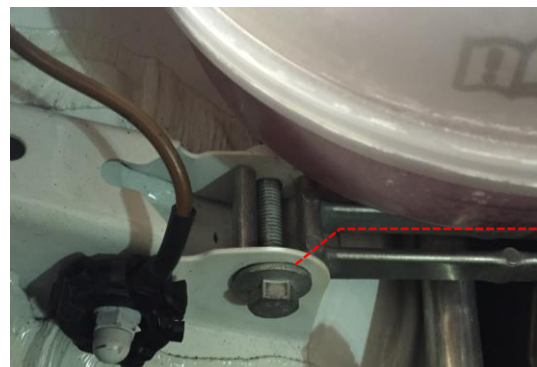
- 1 Securely raise the vehicle on a lift or jack stands to allow access to the underside of the vehicle
- 2 Remove the eight T25 Torx screws that secure the splash pan to the plastic wheel surrounds and the bottom of the bumper



- 3 Support the engine using a hydraulic jack or jack stand. Place a block of wood between the oil pan and the jack/jack stand. Take care when performing this step, the oil pan is composite and more fragile than a typical steel pan



- 4 Open the hood and use a 13mm socket to remove the bolt holding the engine mount to the strut tower bracket



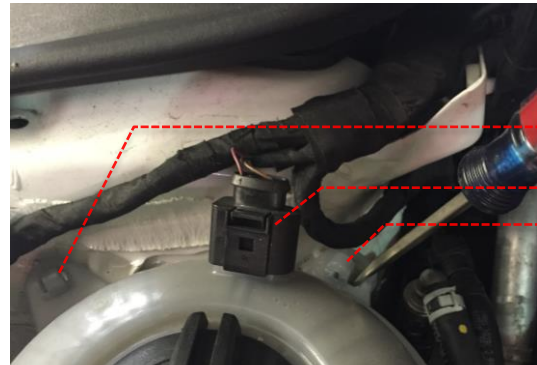
## Fitting Instructions

### Revo Engine Mount Kit (MQB Chassis)

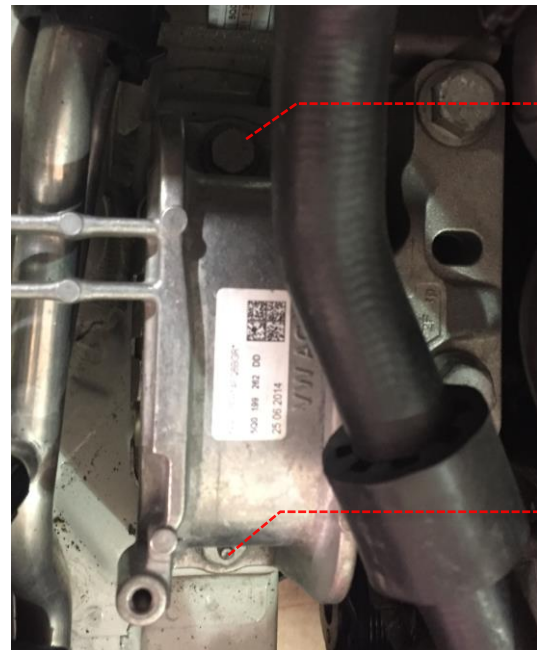
Fitting Difficulty



- 5 Using a flat screwdriver, remove the coolant globe by depressing the tabs. Be sure to disconnect the electrical connector as well



- 6 Using a 16mm socket, remove the two bolts that hold the engine mount to the chassis



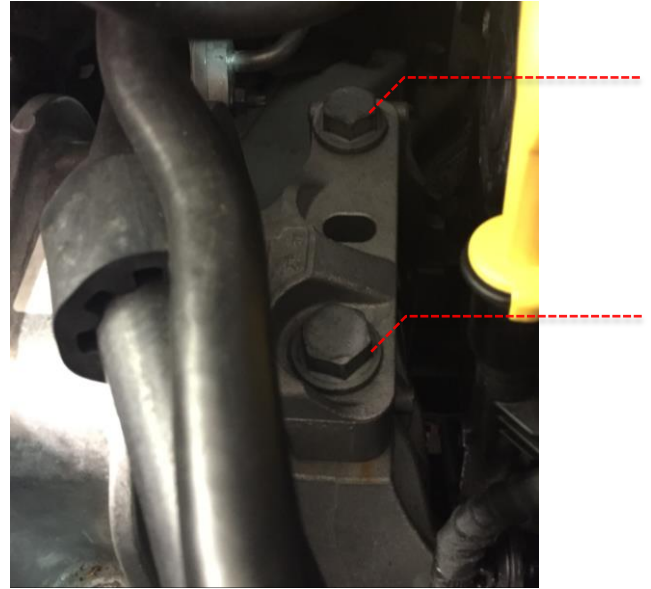
## Fitting Instructions

### Revo Engine Mount Kit (MQB Chassis)

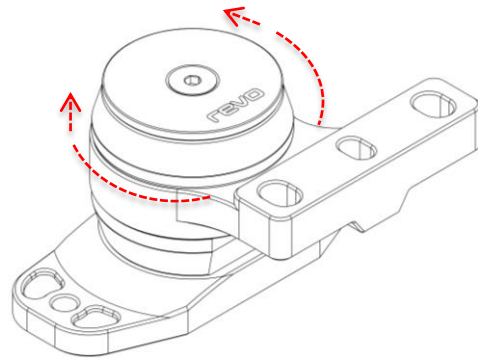
Fitting Difficulty



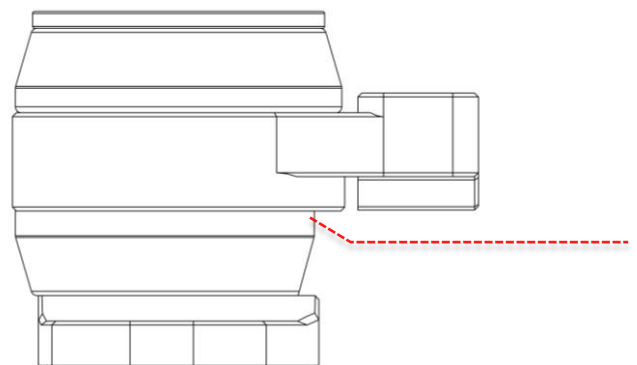
- 7 Using an 18mm socket, remove the two bolts that hold the engine mount to the engine block bracket. Remove the engine mount



- 8 Check the pre-assembled Revo mount to ensure the arm can rotate within the bushings



- 9 Check the pre-assembled Revo mount and be sure the lower bushing flat face is oriented as shown



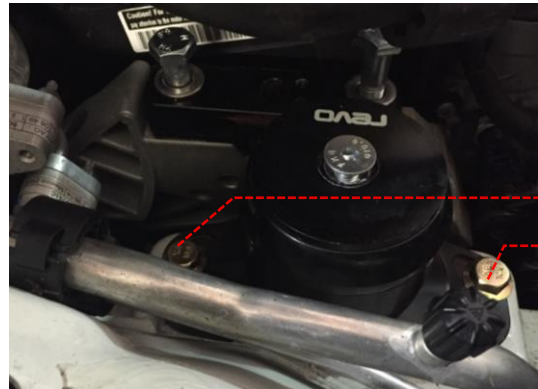
## Fitting Instructions

### Revo Engine Mount Kit (MQB Chassis)

Fitting Difficulty



- 10 Install the Revo mount into the cavity and loosely insert all four bolts. Using a 15mm socket, torque the chassis bolts to 34 ft.-lbs. (46Nm)



- 11 Ensure the Revo mount arm is aligned parallel with the edge of the engine block bracket. Keep the arm in this position and use a 19mm socket to torque the bolts to 44 ft.-lbs. (60Nm)



## Fitting Instructions

### Revo Engine Mount Kit (MQB Chassis)

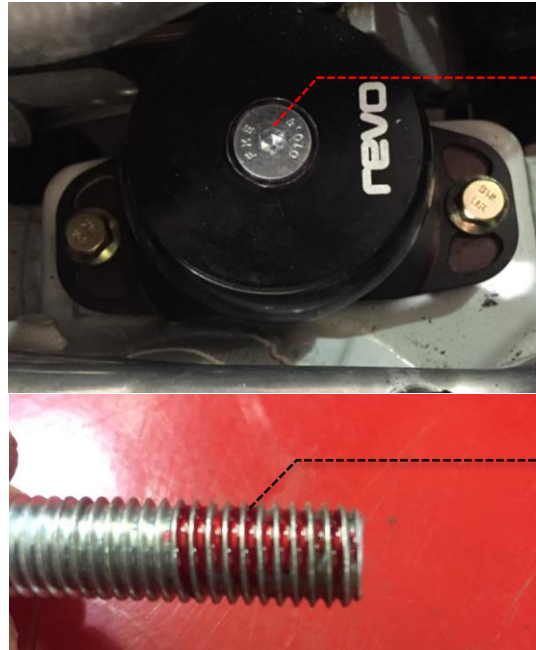
Fitting Difficulty



- 12 Using a 6mm hex, torque the flat-head socket cap screw to 27 ft.-lbs. (34Nm)



Be sure to install thread locker onto the flat-head socket cap screw before installation, as shown



- 13 Reinstall all remaining OE parts that were removed earlier. Reinstallation is done in the reverse of removal. Ensure all bolts are tightened to factory torque specifications. Check over the installation, making sure everything is secure before test driving. The installation is now complete. GO PLAY!